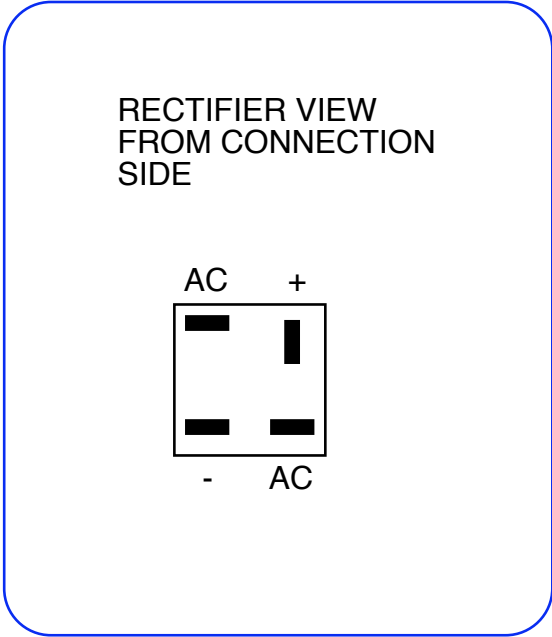
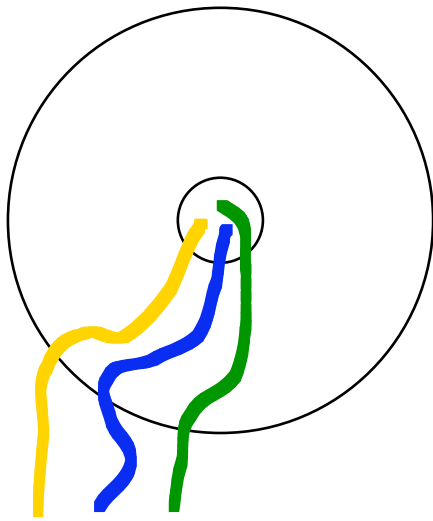
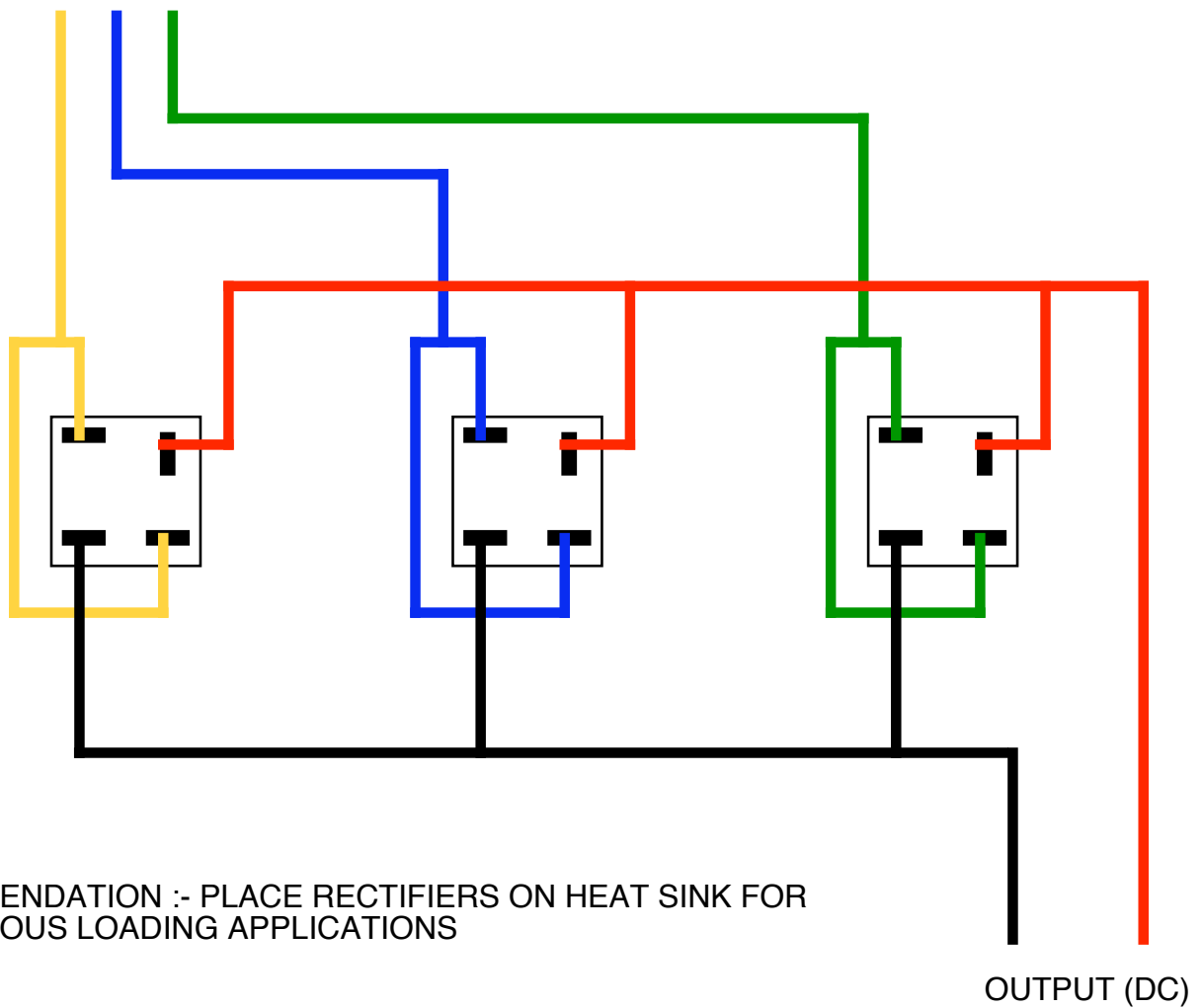


WIRING DIAGRAM :- RECTIFIERS TO PMG



PHASES FROM PMG



RECOMMENDATION :- PLACE RECTIFIERS ON HEAT SINK FOR CONTINUOUS LOADING APPLICATIONS